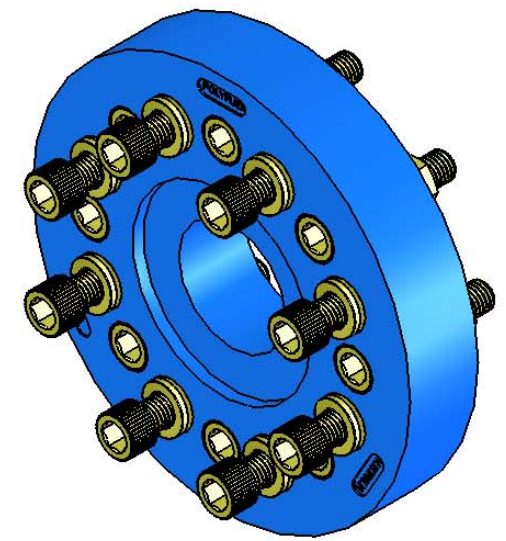
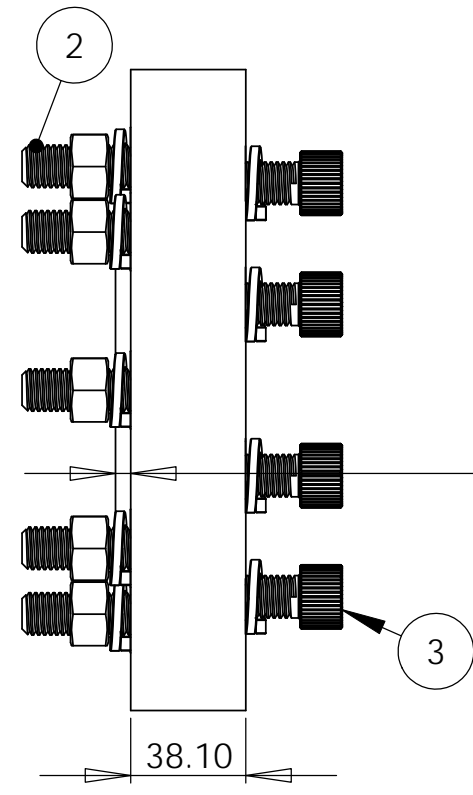
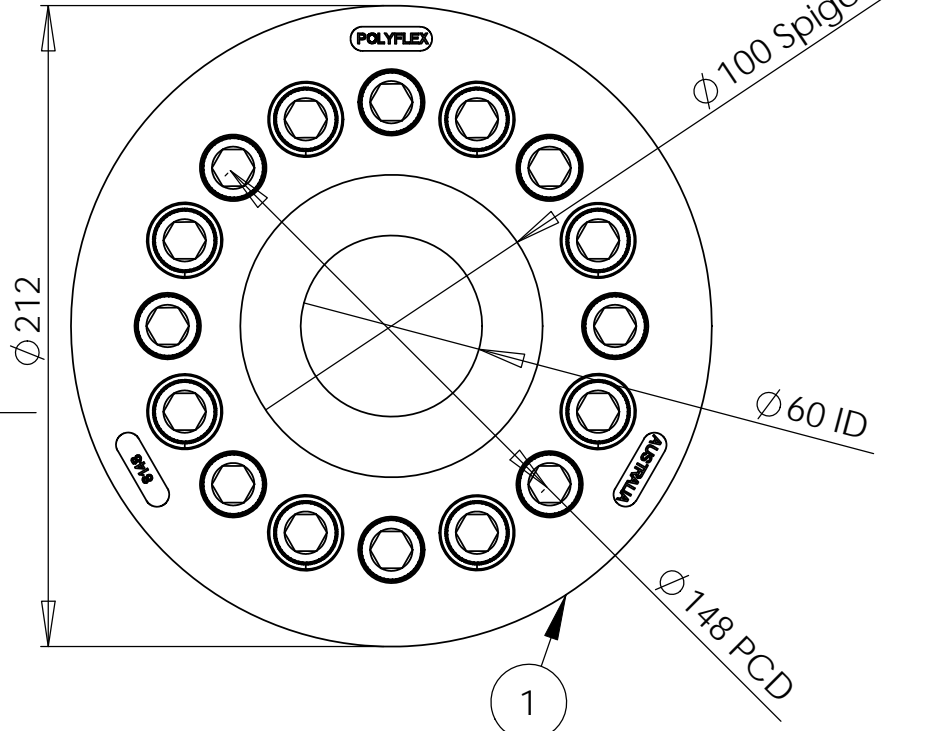


Note: 14mm - 18mm steel bushing kit (16off) supplied with coupling.

- ① Coupling Disc - ENG Grade polymer alloy (Heat Cured) - 1 off
- ② M14 x 60mm SHCS, Nut & S/W - Bolt Grade 10 HT - 8 off
- ③ M14 x 45mm SHCS & S/W - Bolt Grade 10 HT - 8 off



5mm Male & 6mm Female Spigots



UNLESS OTHERWISE SPECIFIED:  
 DIMENSIONS ARE IN MILLIMETERS  
 SURFACE FINISH:  
 TOLERANCES:  
 LINEAR: +/-0.25  
 ANGULAR: +/-0.25

DO NOT SCALE DRAWING		REVISION	A
COMMENTS:			
TITLE:			
8148-4-95 Flexible Coupling 95 Blue Duro			
DWG NO.		8148-4-95 Flexible Coupling	A4
SCALE:1:5		SHEET 1 OF 1	

	NAME	SIGNATURE	DATE	
DRAWN	OK		29.03.07	
CHK'D	OK		29.03.07	
APPV'D				MATERIAL:
MFG	OK			95 Duro Urethane
Q.A				WEIGHT:

**PROPRIETARY & CONFIDENTIAL**  
 THE INFORMATION CONTAINED IN THIS DRAWING IS THE SOLE PROPERTY OF  
 POLY FLEX GROUP PTY LTD. ANY REPRODUCTION IN PART OR AS A WHOLE  
 WITHOUT THE WRITTEN PERMISSION OF POLY FLEX GROUP PTY LTD IS PROHIBITED.