

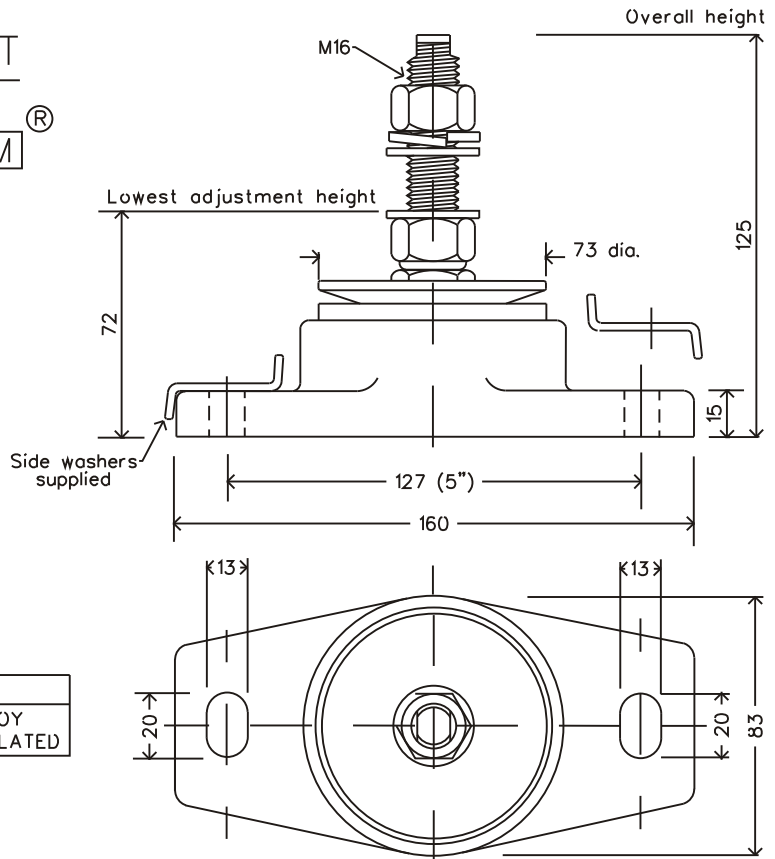
POLY FLEX DATA SHEET

PRODUCT: MOUNT **P-SYSTEM**®  
MODEL: **P#6.5F73-11-16**

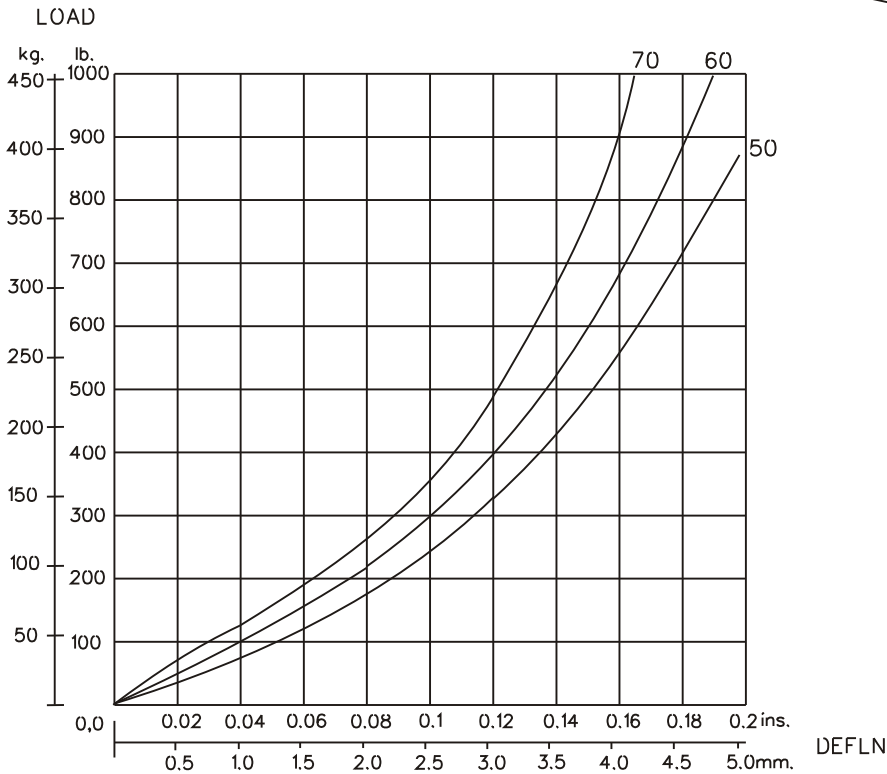
IDENTIFICATION SYSTEM				
P # <u>  </u> F <u>  </u> <u>  </u> - <u>  </u> <u>  </u> - <u>  </u> <u>  </u> ( <u>  </u> <u>  </u> )				
BASE TYPE	CORE DIA.	CORE HEIGHT	THREAD SIZE	CORE HARDNESS

CORE COLOUR	SHORE HARDNESS
ORANGE	50
BLUE	60
YELLOW	70

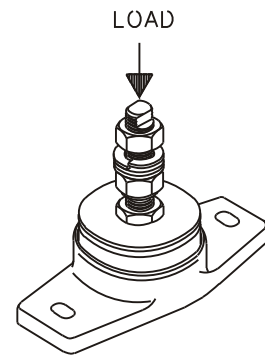
MATERIAL SPECIFICATION	
* ENGINEERING GRADE HEAT CURED POLYMER ALLOY	
* ALL METAL PARTS - GOLD PASSIVATED ZINC PLATED	



Dimensions are in mm.



GRAPH : STATIC AXIAL(VERTICAL) LOAD VS. DEFLECTION



SUGGESTED CORE HARDNESS FOR: LIGHT DUTY   
HEAVY DUTY

THE ABOVE DATA IS SUPPLIED AS A GUIDE ONLY  
PRODUCT SPECIFICATIONS AND DATA SHEETS ARE SUBJECT TO CHANGE WITHOUT NOTICE.