

## POLY FLEX DATA SHEET

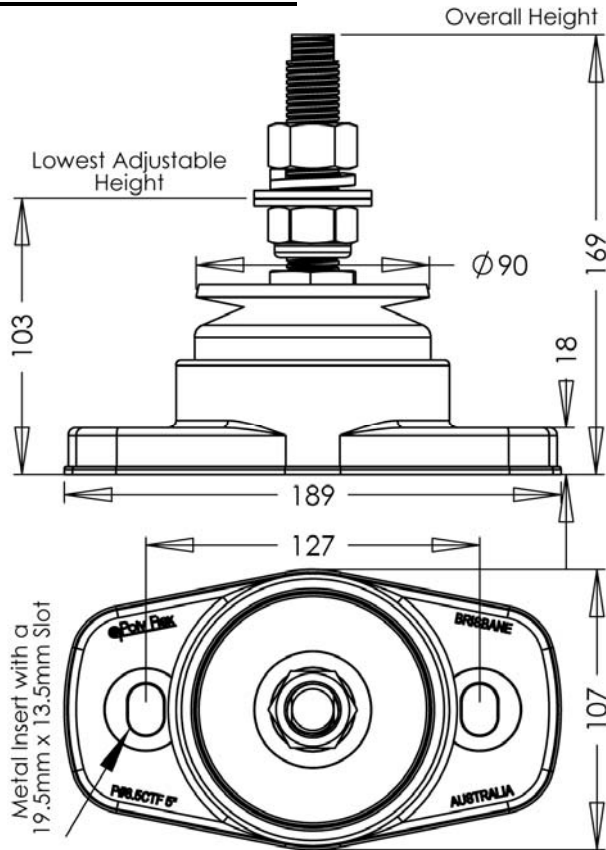
PRODUCT: MOUNT P-SYSTEM<sup>®</sup>

SERIES: 5CTF SERIES<sup>®</sup>

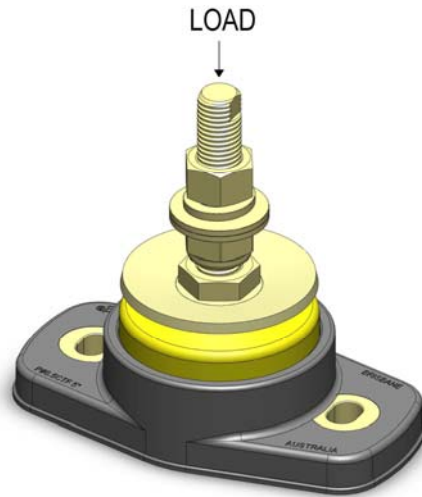
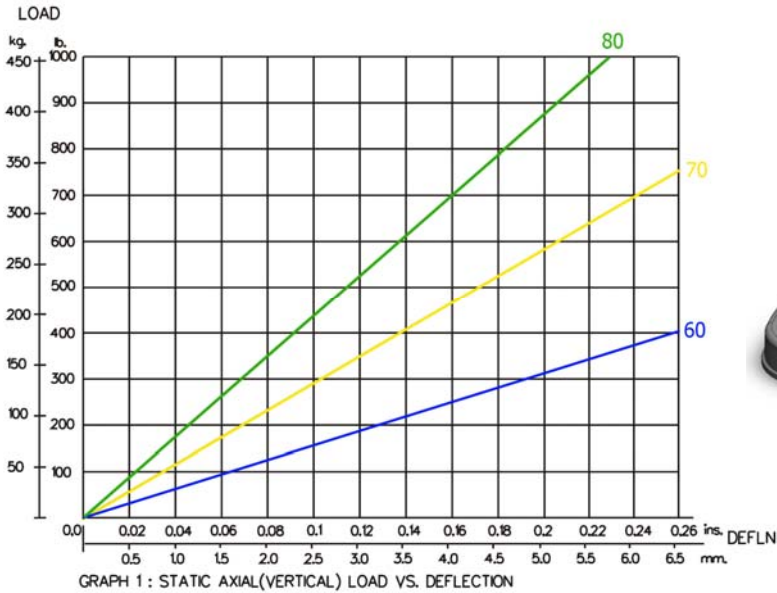
MODEL: P#8.5CTF (5") 90-30-20 (—)

MATERIAL SPECIFICATION	
<ul style="list-style-type: none"> <li>ENGINEERING GRADE HEAT CURED POLYMER ALLOY</li> <li>ALL METAL PARTS - SA5 COBALT ZINC PLATED</li> </ul>	

CORE COLOUR	SHORE HARDNESS
BLUE	60
YELLOW	70
GREEN	80



THE FOLLOWING DATA IS SUPPLIED AS A GUIDE ONLY. PRODUCT SPECIFICATIONS AND DATA SHEETS ARE SUBJECT TO CHANGE WITHOUT NOTICE.



**Poly Flex** © 2009  
PRODUCTS

DRAWING No. P#8.55CTF-20  
DRAWN OK. 21.07.09